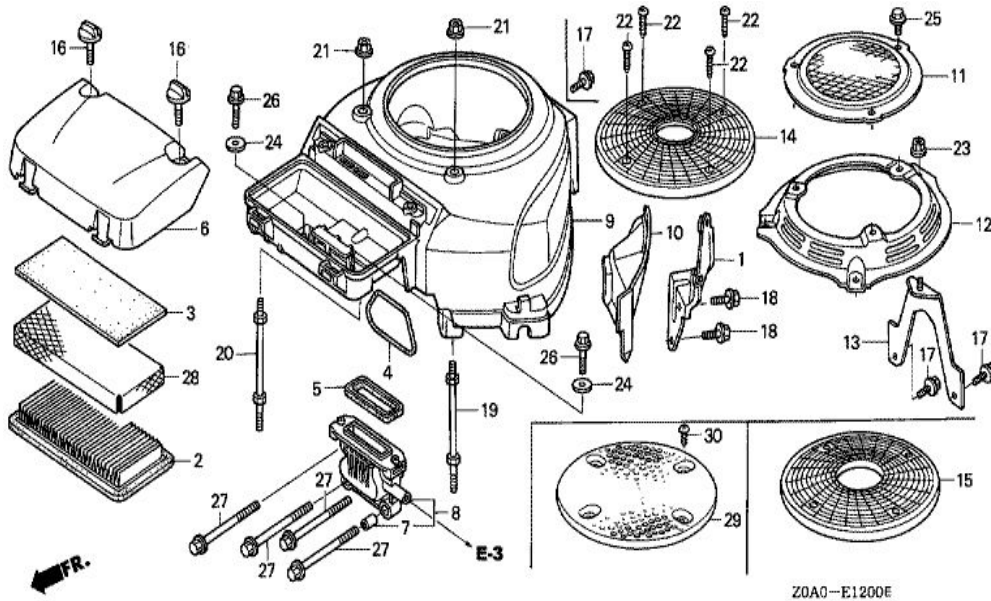


GXV530

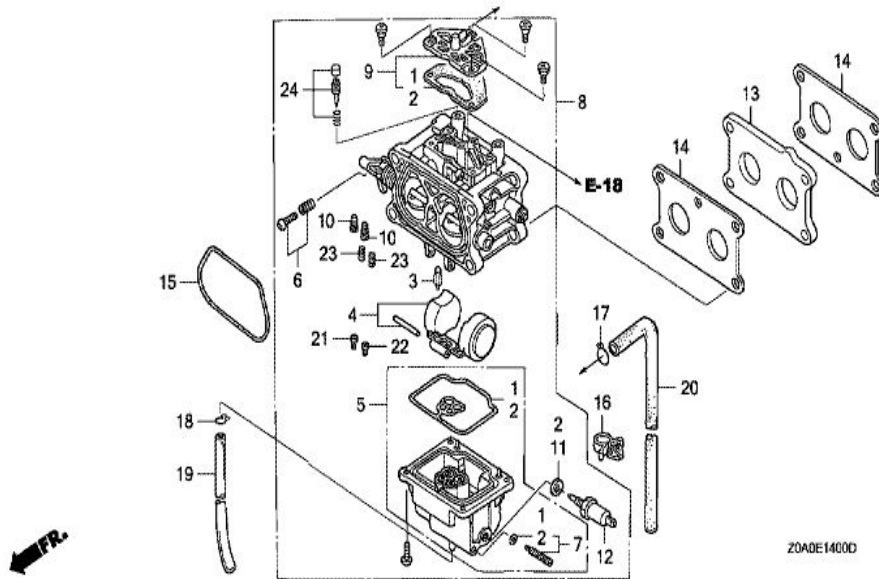
DXA2

PARTS CATALOGUE

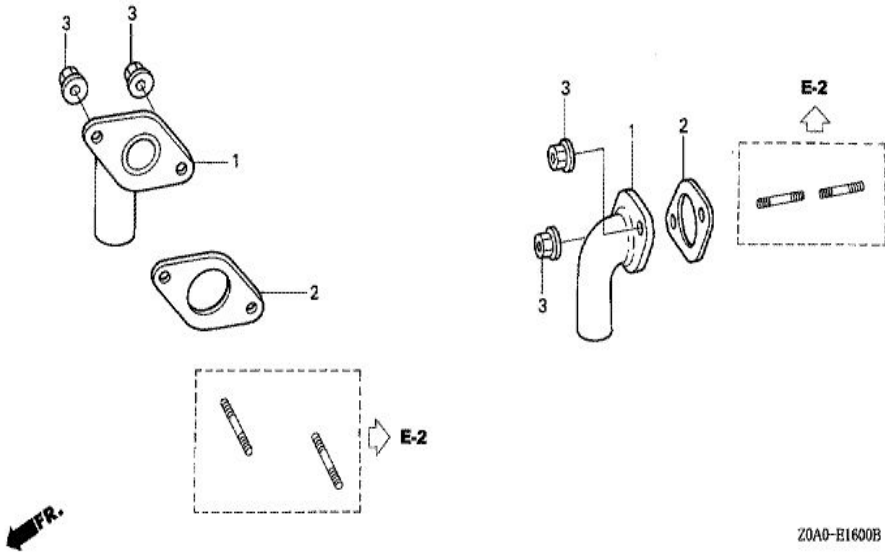


Z0A0-E1200E

| Ref | Partnumber | Description | GXV530 | Serial Numbers |
|-----|-----------------|-------------------------------|--------|----------------|
| 001 | 16711-Z0A-000 | STAY, FUEL PUMP | 1 | |
| 002 | 17211-Z0A-003 | ELEMENT, AIR CLEANER | 1 | 1022925 |
| 002 | 17211-Z0A-013 | ELEMENT, AIR CLEANER | 1 | 1022926 |
| 003 | 17218-Z0A-000 | FILTER, OUTER | 1 | |
| 003 | 17218-Z0A-810 | FILTER, OUTER | 1 | 1022926 |
| 004 | 17228-Z0A-003 | PACKING, AIR CLEANER | 1 | |
| 005 | 17229-Z0A-000 | SEAL, AIR CLEANER CASE | 1 | |
| 006 | 17231-Z0A-000 | COVER, AIR CLEANER | 1 | |
| 007 | 17238-ZJ4-830 | COLLAR A, AIR CLEANER | 4 | |
| 008 | 17410-Z0A-010 | ELBOW COMP., AIR CLEANER | 1 | |
| 009 | 19611-Z0A-010ZA | COVER, FAN *NH1 * | 1 | |
| 010 | 19612-Z0A-000 | PLATE, SIDE | 1 | |
| 014 | 28452-Z0A-000ZA | GRID, SCREEN (D50) *NH1* | 1 | 1024084 |
| Ref | Partnumber | Description | GXV530 | Serial Numbers |
| 016 | 90004-Z0A-000 | BOLT, AIR CLEANER, 6MM | 2 | |
| 017 | 90013-ZL8-000 | BOLT, FLANGE, 6X14 (CT200) | 2 | |
| 018 | 90014-952-000 | BOLT, FLANGE, 6X14 (CT200) | 1 | |
| 019 | 90044-Z0A-000 | BOLT, L. STUD (IGNITION COIL) | 1 | |
| 020 | 90045-Z0A-000 | BOLT, R. STUD (IGNITION COIL) | 1 | |
| 021 | 90201-ZM0-000 | NUT, FLANGE, 6MM | 2 | |
| 022 | 93913-24780 | SCREW, TAPPING, 4X30 (PO) | 4 | |
| 024 | 94103-06800 | WASHER, PLAIN, 6MM | 2 | |
| 026 | 95701-0601200 | BOLT, FLANGE, 6X12 | 2 | |
| 027 | 95801-0610000 | BOLT, FLANGE, 6X100 | 4 | |
| 028 | 17212-Z0A-000 | GRID, AIR CLEANER | 1 | 1022926 |

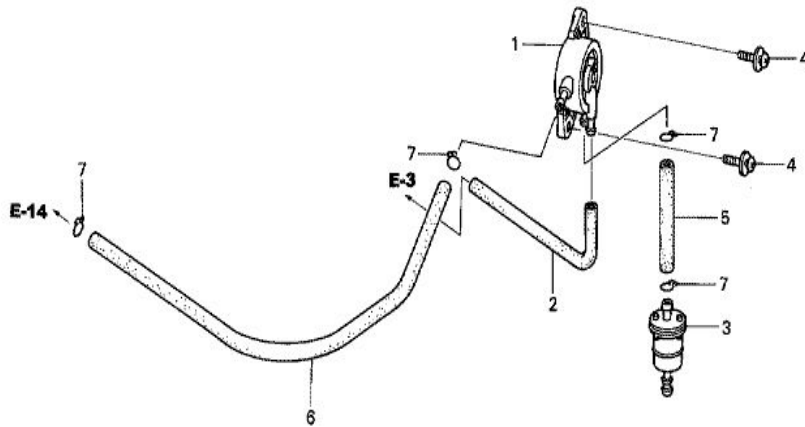


| Ref | Partnumber | Description | GXV530 | Serial Numbers |
|-----|---------------|--|--------|----------------|
| 002 | 16010-Z0A-802 | GASKET SET | 1 | |
| 003 | 16011-Z0A-004 | VALVE, FLOAT | 1 | |
| 004 | 16013-Z0A-004 | FLOAT SET | 1 | |
| 005 | 16015-Z0A-802 | CHAMBER SET, FLOAT | 1 | |
| 006 | 16016-Z0A-004 | SCREW SET | 1 | |
| 007 | 16024-Z0A-004 | SCREW SET, DRAIN | 1 | |
| 008 | 16100-Z0A-813 | CARBURETOR ASSY. (BW02B B) | 1 | 1024972 |
| 008 | 16100-Z0A-814 | CARBURETOR ASSY. (BW02B C) | 1 | |
| 008 | 16100-Z0A-815 | CARBURETOR ASSY. (BW02B C) | 1 | 1027211 |
| 009 | 16139-Z0A-004 | COVER SET, AIR VENT | 1 | |
| 010 | 16168-Z0A-004 | CAP | 2 | |
| 011 | 16178-Z0A-802 | GASKET | 1 | |
| 012 | 16200-Z0A-802 | VALVE ASSY., SOLENOID | 1 | |
| Ref | Partnumber | Description | GXV530 | Serial Numbers |
| 013 | 16211-Z0A-000 | INSULATOR, CARBURETOR | 1 | |
| 014 | 16212-Z0A-000 | PACKING, INSULATOR | 2 | |
| 015 | 17228-Z0A-003 | PACKING, AIR CLEANER | 1 | |
| 016 | 90659-680-013 | CLIP, WIRE HARNESS | 1 | |
| 017 | 95002-02080 | CLIP, TUBE (B8) | 1 | |
| 018 | 95002-02650 | CLIP, TUBE (B6.5) | 1 | |
| 019 | 95003-0703031 | TUBE, VINYL, 4X7X300 (95003-07001-60M) | 1 | |
| 020 | 95005-4540020 | TUBE, 4.5X400 (95005-45001-20M) | 1 | |
| 021 | 99131-Z0A0820 | JET, MAIN, #82.5 | (1) | |
| 021 | 99131-Z0A0850 | JET, MAIN, #85 | (1) | |
| 021 | 99131-Z0A0870 | JET, MAIN, #87.5 | 1 | |
| 022 | 99131-Z0A0850 | JET, MAIN, #85 | (1) | |
| 022 | 99131-Z0A0870 | JET, MAIN, #87.5 | (1) | |
| 022 | 99131-Z0A0900 | JET, MAIN, #90 | 1 | |
| 023 | 99133-Z0A0370 | JET, PILOT, #37.5 | 2 | BW02B B |
| 023 | 99134-Z0A0370 | JET, PILOT, #37.5 | 2 | BW02B C |
| 024 | 16028-Z0A-004 | SCREW SET, PILOT | 2 | |



Z0A0-B1600B

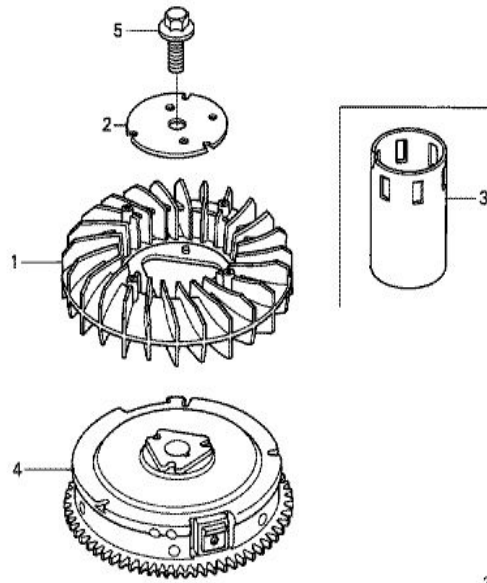
| Ref | Partnumber | Description | GXV530 | Serial Numbers |
|-----|---------------|------------------|--------|----------------|
| 002 | 18333-Z0A-000 | GASKET, EX. PIPE | 2 | |



FR.

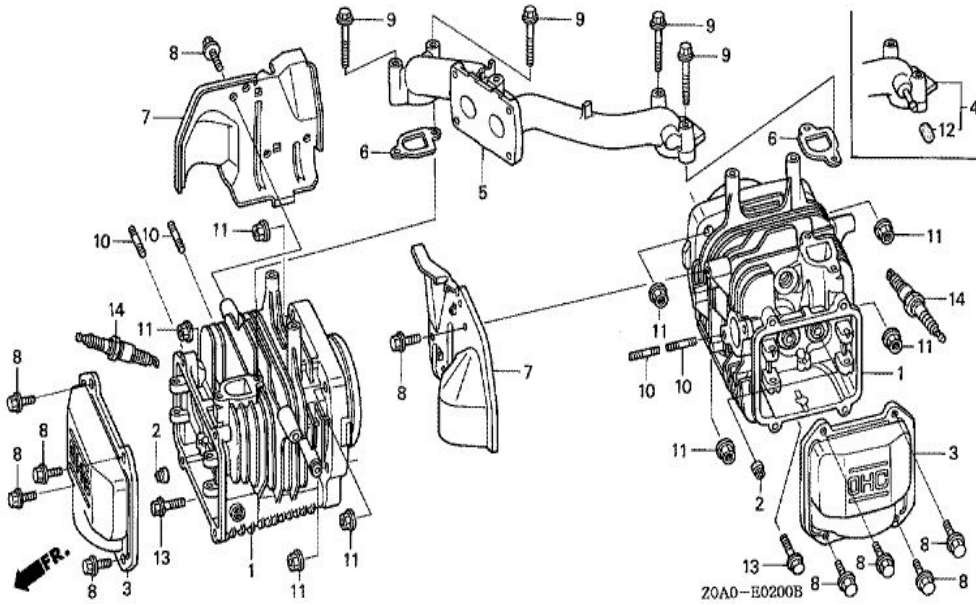
Z0A0-E1800B

| Ref | Partnumber | Description | GXV530 | Serial Numbers |
|-----|---------------|---------------------------------------|--------|----------------|
| 001 | 16700-ZL8-003 | PUMP ASSY., FUEL | 1 | 1019622 |
| 001 | 16700-ZL8-013 | PUMP ASSY., FUEL | 1 | 1019623 |
| 002 | 16882-Z0A-000 | TUBE, DIAPHRAGM | 1 | |
| 003 | 16910-ZV4-015 | STRAINER COMP., FUEL | 1 | |
| 004 | 93894-0501600 | SCREW-WASHER, 5X16 | 2 | |
| 005 | 95001-5510040 | TUBE, FUEL, 5.3X100 (95001-55001-60M) | 1 | |
| 006 | 95001-5535040 | TUBE, FUEL, 5.3X350 (95001-55001-60M) | 1 | |
| 007 | 95002-02100 | CLIP, TUBE (B10) | 2 | |

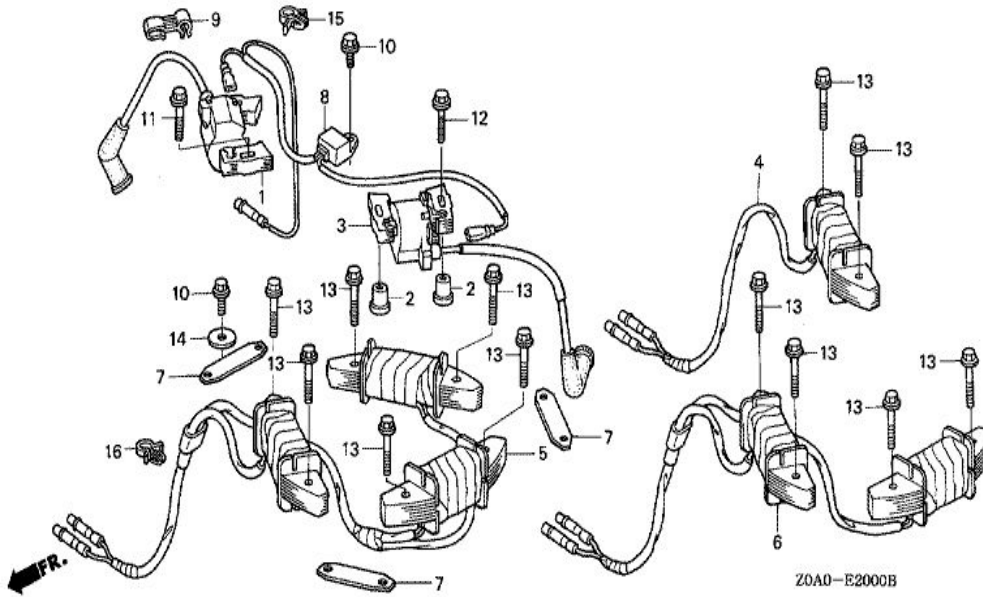


Z0A0-E1900A

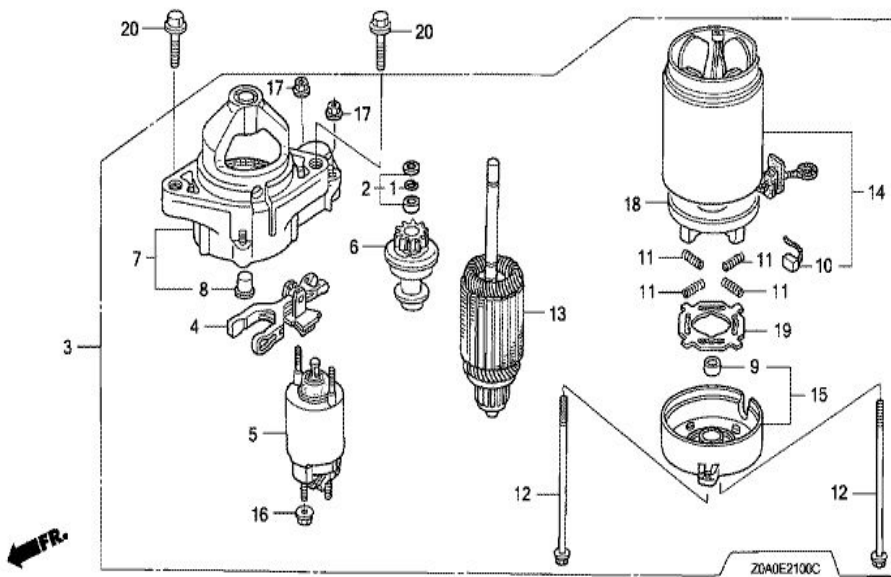
| Ref | Partnumber | Description | GXV530 | Serial Numbers |
|-----|---------------|----------------------------|--------|----------------|
| 001 | 19511-Z0A-000 | FAN, COOLING | 1 | |
| 002 | 19513-Z0A-000 | PLATE, COOLING FAN SETTING | 1 | |
| 004 | 31110-Z0A-800 | FLYWHEEL COMP. (6P) | 1 | |
| 005 | 90011-Z0A-000 | BOLT, FLANGE, 16X35 | 1 | |



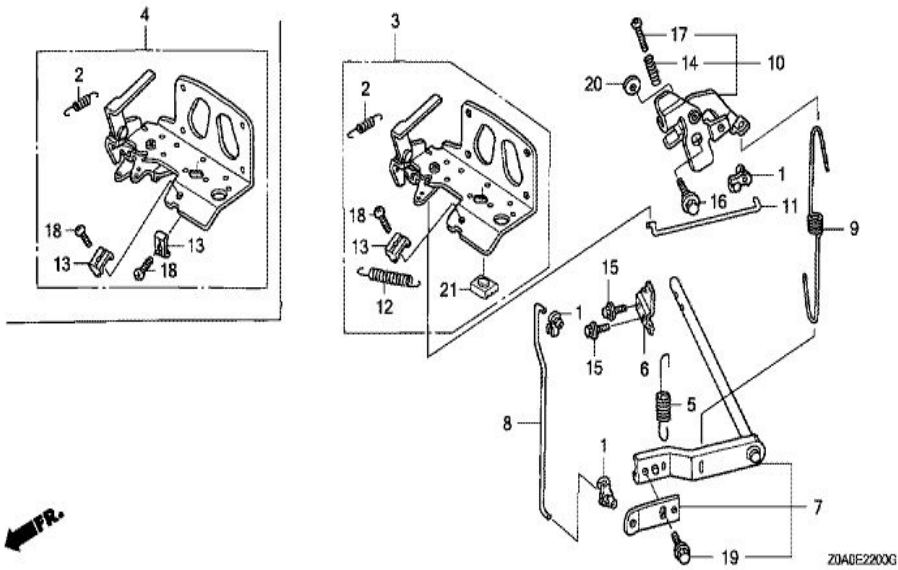
| Ref | Partnumber | Description | GXV530 | Serial Numbers |
|-----|---------------|--------------------------------|--------|----------------|
| 001 | 12100-Z0A-406 | CYLINDER COMP. | 2 | |
| 002 | 12209-422-005 | SEAL, VALVE STEM | 2 | |
| 003 | 12311-Z0A-000 | COVER, HEAD | 2 | |
| 004 | 17100-Z0A-000 | MANIFOLD ASSY., INTAKE | 1 | |
| 006 | 17151-Z0A-000 | PACKING, INTAKE MANIFOLD | 2 | |
| 007 | 19631-Z0A-000 | SHROUD | 2 | |
| 008 | 90013-883-000 | BOLT, FLANGE, 6X12 (CT200) | 10 | 1017807 |
| 009 | 90016-ZE8-000 | BOLT, FLANGE, 6X45 (CT200) | 4 | |
| 010 | 90045-892-000 | BOLT, STUD, 6X28 (CT200) | 4 | |
| 011 | 90201-Z0A-000 | NUT, FLANGE, 8MM | 8 | |
| 012 | 90634-ZL8-H00 | CAP, SEALING | 1 | |
| 013 | 95701-0603000 | BOLT, FLANGE, 6X30 | 2 | |
| 014 | 98079-54846 | PLUG, SPARK (BPR4ES) (NGK) | (2) | |
| Ref | Partnumber | Description | GXV530 | Serial Numbers |
| 014 | 98079-54855 | PLUG, SPARK (W14EPR-U) (DENSO) | (2) | |
| 014 | 98079-55846 | PLUG, SPARK (BPR5ES) (NGK) | 2 | |
| 014 | 98079-55855 | PLUG, SPARK (W16EPR-U) (DENSO) | 2 | |



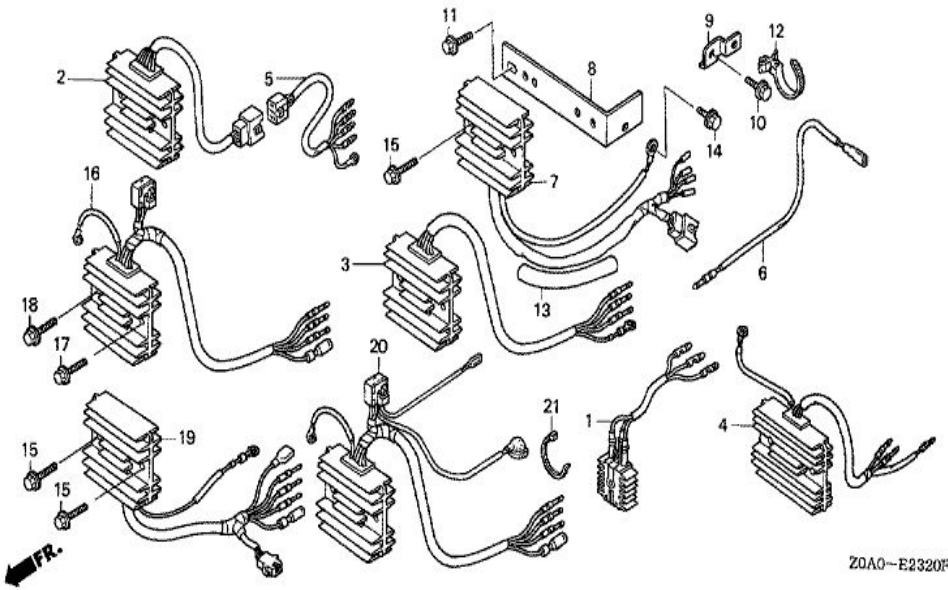
| Ref | Partnumber | Description | GXV530 | Serial Numbers |
|-----|---------------|---------------------------------|--------|----------------|
| 001 | 30500-Z0A-013 | COIL ASSY., IGNITION (#1) | 1 | 1037849 |
| 001 | 30500-Z0A-033 | COIL ASSY., IGNITION (#1) | 1 | 1061987 |
| 002 | 30509-Z0A-000 | COLLAR, IGNITION COIL | 2 | |
| 003 | 30550-Z0A-013 | COIL ASSY., IGNITION (#2) | 1 | 1061986 |
| 003 | 30550-Z0A-033 | COIL ASSY., IGNITION (#2) | 1 | 1061987 |
| 006 | 31630-Z0A-811 | COIL ASSY., CHARGE (12V/12A) | 1 | |
| 008 | 31740-Z0A-003 | DIODE ASSY., ENGINE STOP | 1 | |
| 009 | 32768-PJ7-000 | CLAMP, CENTER CORD | 1 | |
| 010 | 90013-883-000 | BOLT, FLANGE, 6X12 (CT200) | 2 | |
| 011 | 95701-0602800 | BOLT, FLANGE, 6X28 | 1 | |
| 012 | 90016-ZE8-000 | BOLT, FLANGE, 6X45 (CT200) | 1 | |
| 013 | 95701-0603200 | BOLT, FLANGE, 6X32 | 2 | |
| 014 | 90136-428-870 | WASHER, TANK SETTING | 1 | |
| Ref | Partnumber | Description | GXV530 | Serial Numbers |
| 015 | 90654-SA4-003 | CLIP, WIRE HARNESS, 6MM (WHITE) | 1 | |
| 016 | 90659-PG6-000 | CLIP, WIRE HARNESS | 1 | |



| Ref | Partnumber | Description | GXV530 | Serial Numbers |
|-----|---------------|-----------------------------|--------|----------------|
| 001 | 30201-PH9-004 | RING, SNAP (DENSO) | 1 | |
| 002 | 30202-PZ1-003 | COLLAR SET, CLUTCH STOP | 1 | |
| 003 | 31200-Z0A-003 | MOTOR ASSY., STARTER | 1 | |
| 004 | 31203-PH9-004 | LEVER, PINION DRIVE | 1 | |
| 005 | 31204-ZG4-801 | SWITCH ASSY., MAGNETIC | 1 | |
| 006 | 31207-Z0A-003 | CLUTCH COMP., OVERRUNNING | 1 | |
| 007 | 31208-Z0A-003 | HOUSING COMP., DRIVE SIDE | 1 | |
| 008 | 31209-PH9-004 | BEARING A | 1 | |
| 009 | 31210-PH9-004 | BEARING B | 1 | |
| 010 | 31211-PH9-004 | BRUSH | 4 | |
| 011 | 31212-PH9-004 | SPRING, BRUSH | 4 | |
| 012 | 31214-PH9-004 | BOLT, THROUGH | 2 | |
| 013 | 31217-Z0A-003 | ARMATURE COMP. | 1 | |
| Ref | Partnumber | Description | GXV530 | Serial Numbers |
| 014 | 31218-P64-N01 | YOKE COMP. | 1 | |
| 015 | 31219-Z0A-003 | FRAME COMP., COMMUTATOR END | 1 | |
| 016 | 31220-PH9-004 | NUT, HEX., 8MM | 1 | |
| 017 | 31223-PA0-006 | NUT, HEX. | 2 | |
| 018 | 31231-PH9-004 | HOLDER, BRUSH | 1 | |
| 019 | 31233-PH9-004 | INSULATOR, BRUSH HOLDER | 1 | |
| 020 | 95701-1004000 | BOLT, FLANGE, 10X40 | 2 | |

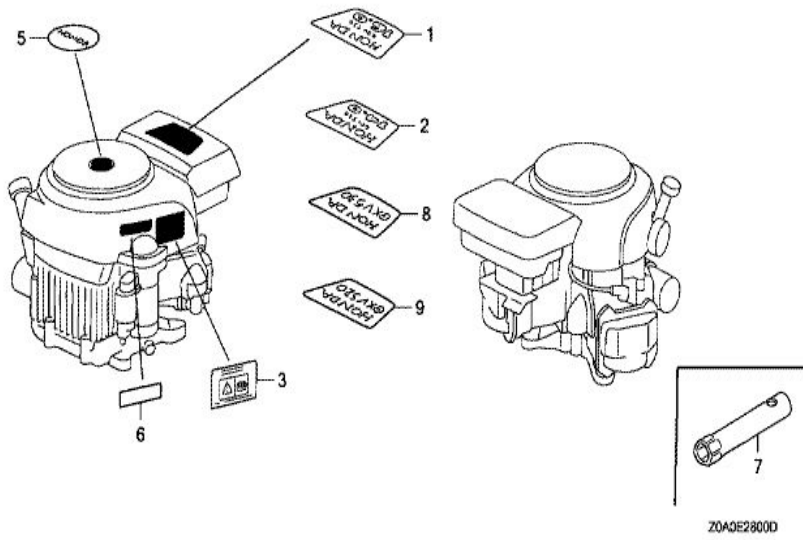


| Ref | Partnumber | Description | GXV530 | Serial Numbers |
|-----|---------------|---------------------------|--------|----------------|
| 001 | 16263-ZJ7-871 | ROD, JOINT | 3 | |
| 002 | 16268-Z0A-300 | SPRING, CHOKE RETURN | 1 | |
| 004 | 16500-Z0A-800 | CONTROL ASSY. (2-LEVER) | 1 | 1026393 |
| 005 | 16534-Z0A-000 | SPRING, STARTER | 1 | |
| 006 | 16542-Z0A-000 | FORK, GOVERNOR | 1 | |
| 007 | 16550-Z0A-000 | ARM COMP., GOVERNOR | 1 | |
| 008 | 16555-Z0A-000 | ROD, GOVERNOR | 1 | |
| 009 | 16561-Z0A-000 | SPRING, GOVERNOR | 1 | |
| 010 | 16565-Z0A-000 | LINK COMP., GOVERNOR | 1 | |
| 011 | 16566-Z0A-000 | ROD, GOVERNOR LINK | 1 | |
| 013 | 16576-891-000 | HOLDER, CABLE | 2 | 1026393 |
| 014 | 16584-883-300 | SPRING, CONTROL ADJUSTING | 1 | |
| 015 | 90002-892-000 | BOLT, FLANGE, 5X10 | 2 | |
| Ref | Partnumber | Description | GXV530 | Serial Numbers |
| 016 | 90015-Z0A-000 | BOLT, FLANGE, 6MM (CT200) | 1 | |
| 017 | 90016-ZG9-N30 | SCREW, RECESSED, 5X25 | 1 | |
| 018 | 93500-050160A | SCREW, PAN, 5X16 | 2 | 1026393 |
| 019 | 95701-0601000 | BOLT, FLANGE, 6X10 | 1 | |
| 020 | 94101-06000 | WASHER, PLAIN, 6MM | 1 | |

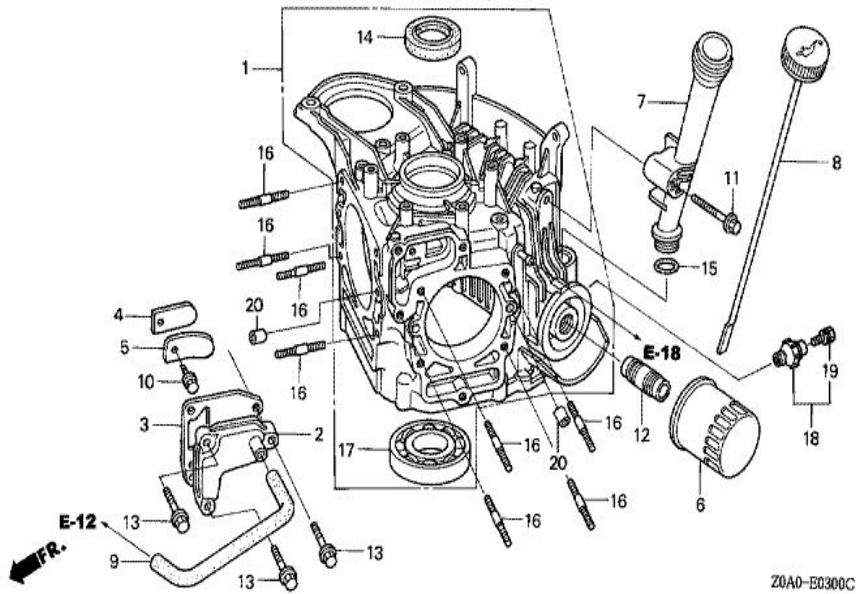


Z0A0-E2320P

| Ref | Partnumber | Description | GXV530 | Serial Numbers |
|-----|---------------|-----------------------------|--------|----------------|
| 006 | 32105-Z0A-000 | HARNESS ASSY., SUB WIRE | 1 | |
| 009 | 35806-752-630 | BASE, CLIP | 1 | |
| 010 | 90013-883-000 | BOLT, FLANGE, 6X12 (CT200) | 1 | |
| 012 | 90672-SB2-003 | STRAP, CABLE, 105MM (BLACK) | 1 | |
| 013 | 91406-ZB3-740 | TUBE, CORD | 1 | |
| 016 | 31750-Z0A-801 | RECTIFIER ASSY., REGULATOR | 1 | 1017807 |
| 017 | 90121-952-000 | BOLT, FLANGE, 6X25 (CT200) | 1 | |
| 018 | 95701-0602500 | BOLT, FLANGE, 6X25 | 1 | |

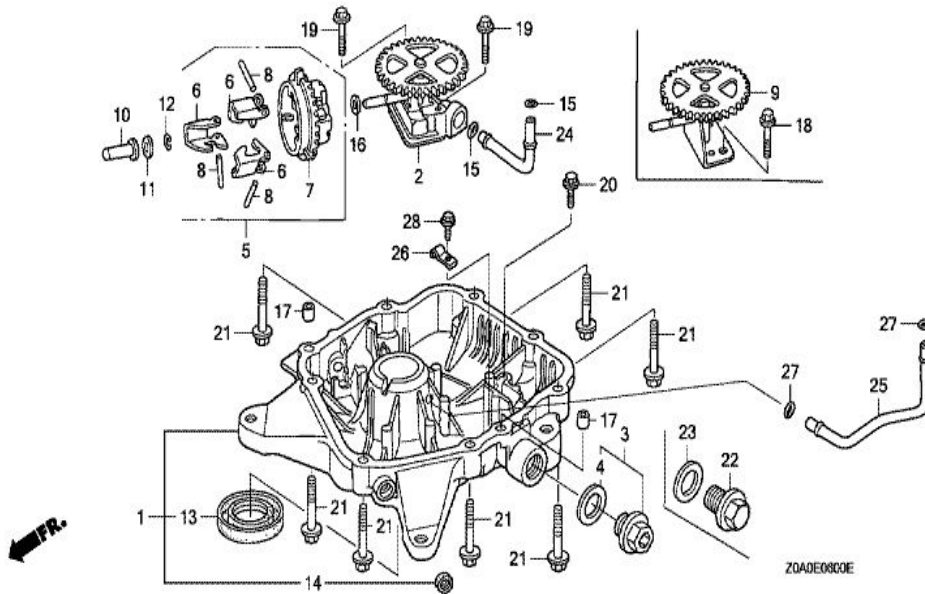


| Ref | Partnumber | Description | GXV530 | Serial Numbers |
|-----|---------------|------------------------|--------|----------------|
| 003 | 87516-Z0A-000 | MARK, OPERATOR CAUTION | 1 | 1018853 |
| 003 | 87516-Z0A-010 | MARK, OPERATOR CAUTION | 1 | 1003810 |

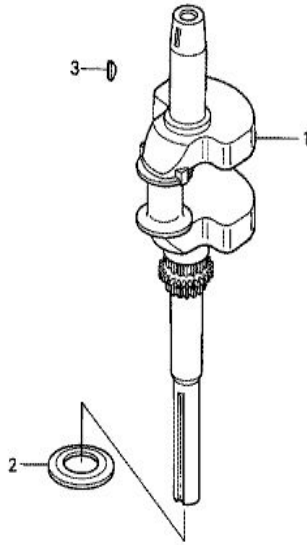


Z0A0-E0300C

| <u>Ref</u> | <u>Partnumber</u> | <u>Description</u> | <u>GXV530</u> | <u>Serial Numbers</u> |
|------------|-------------------|-----------------------------------|---------------|-----------------------|
| 001 | 11100-Z0A-409 | CRANKCASE ASSY. | 1 | |
| 002 | 12356-Z0A-000 | COVER, BREATHER | 1 | |
| 003 | 12358-Z0A-000 | PACKING, BREATHER COVER | 1 | |
| 004 | 12372-ZA0-701 | PLATE, VALVE | 1 | |
| 005 | 12374-Z0A-000 | STOPPER, VALVE | 1 | |
| 006 | 15410-MCJ-000 | CARTRIDGE, OIL FILTER (TOYO ROKI) | 1 | |
| 007 | 15631-Z0A-000 | EXTENSION, OIL FILLER | 1 | |
| 008 | 15655-Z0A-800 | GAUGE COMP., OIL LEVEL | 1 | |
| 009 | 15721-Z0A-000 | TUBE, BREATHER | 1 | |
| 010 | 90002-892-000 | BOLT, FLANGE, 5X10 | 1 | |
| 011 | 90016-ZE8-000 | BOLT, FLANGE, 6X45 (CT200) | 1 | |
| 012 | 90018-PN3-000 | HOLDER, OIL FILTER | 1 | |
| 013 | 90121-952-000 | BOLT, FLANGE, 6X25 (CT200) | 3 | |
| <u>Ref</u> | <u>Partnumber</u> | <u>Description</u> | <u>GXV530</u> | <u>Serial Numbers</u> |
| 014 | 91201-ZE3-004 | OIL SEAL, 35X52X8 | 1 | |
| 015 | 91301-ZE9-003 | O-RING, 22.1X2.2 | 1 | |
| 016 | 92900-080280E | BOLT, STUD, 8X28 | 8 | |
| 017 | 96100-6207000 | BEARING, RADIAL BALL, 6207 | 1 | |
| 018 | 35490-Z0A-003 | SWITCH ASSY., OIL PRESSURE | 1 | |
| 019 | 90002-PA6-003 | BOLT-WASHER, 4X8 (DENSO) | 1 | |
| 020 | 94301-08140 | DOWEL PIN, 8X14 | 4 | |

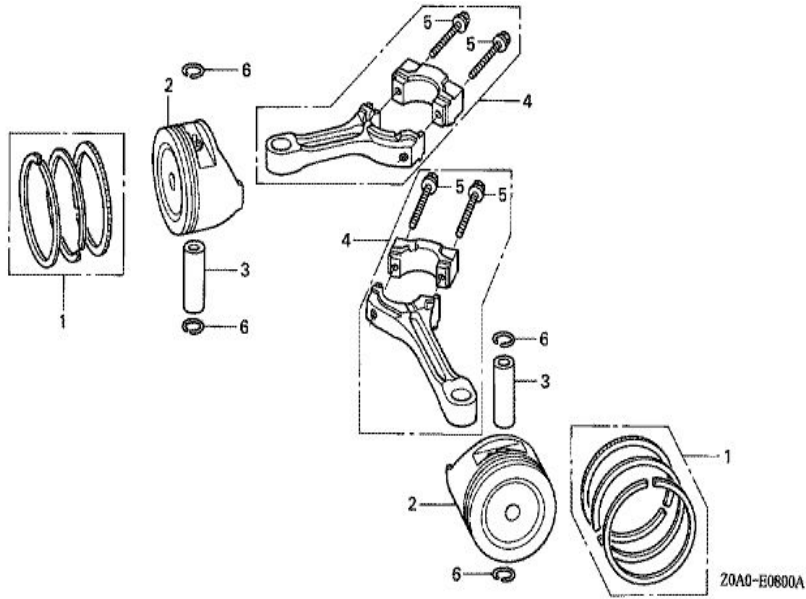


| Ref | Partnumber | Description | GXV530 | Serial Numbers |
|-----|---------------|-------------------------|--------|----------------|
| 001 | 11300-Z0A-801 | PAN ASSY., OIL | 1 | |
| 002 | 15100-Z0A-811 | PUMP ASSY., OIL | 1 | |
| 003 | 15550-Z0A-800 | CAP ASSY., DRAIN | 1 | |
| 004 | 15625-ZE1-003 | PACKING, OIL FILLER CAP | 1 | |
| 005 | 16510-Z0A-000 | GOVERNOR ASSY. | 1 | |
| 006 | 16511-Z0A-000 | WEIGHT, GOVERNOR | 3 | |
| 007 | 16512-Z0A-000 | HOLDER, GOVERNOR WEIGHT | 1 | |
| 008 | 16513-ZE2-000 | PIN, GOVERNOR WEIGHT | 3 | |
| 010 | 16531-Z0A-000 | SLIDER, GOVERNOR | 1 | |
| 011 | 90473-147-000 | WASHER, 6X16 | 1 | |
| 012 | 90602-ZE1-000 | CLIP, GOVERNOR HOLDER | 1 | |
| 013 | 91202-Z0A-003 | OIL SEAL, 31X50X8 | 1 | |
| 014 | 91206-333-003 | OIL SEAL, 10X16X4.5 | 1 | |
| Ref | Partnumber | Description | GXV530 | Serial Numbers |
| 015 | 91301-Z0A-003 | O-RING, 7.5X2.3 | 2 | |
| 016 | 94101-06800 | WASHER, PLAIN, 6MM | 1 | |
| 017 | 94301-08140 | DOWEL PIN, 8X14 | 2 | |
| 019 | 95701-0603500 | BOLT, FLANGE, 6X35 | 2 | |
| 021 | 95701-0804000 | BOLT, FLANGE, 8X40 | 7 | |
| 024 | 15161-Z0A-000 | PIPE, OIL PUMP | 1 | |
| 025 | 15162-Z0A-800 | PIPE, OIL SUPPLY | 1 | |
| 026 | 15163-Z0A-000 | HOLDER, OIL PIPE | 1 | |
| 027 | 91302-Z0A-003 | O-RING, 5.8X2 | 2 | |
| 028 | 95701-0601200 | BOLT, FLANGE, 6X12 | 1 | |



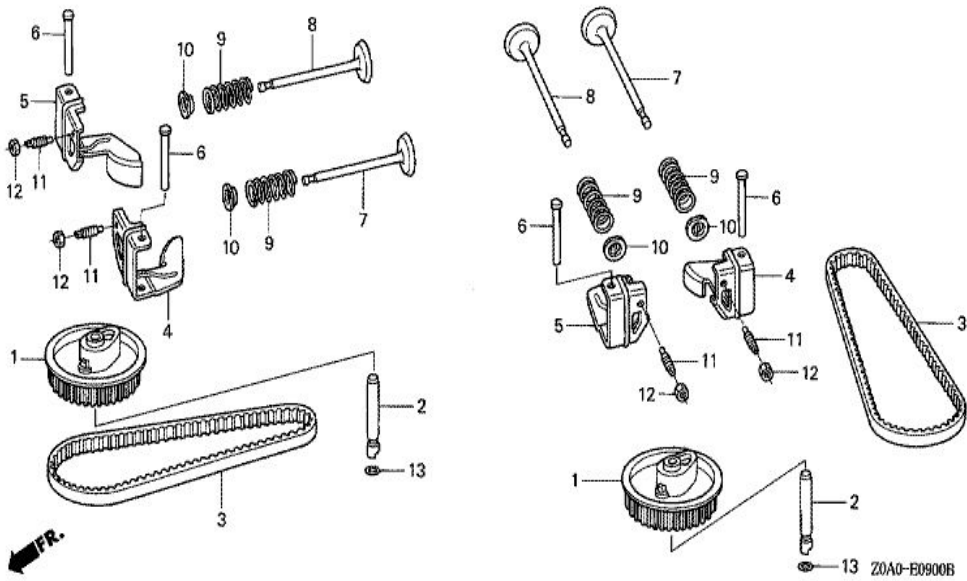
Z0A0-130700

| Ref | Partnumber | Description | GXV530 | Serial Numbers |
|-----|---------------|------------------------------|--------|----------------|
| 001 | 13310-Z0A-800 | CRANKSHAFT COMP. | 1 | |
| 002 | 90401-Z0A-000 | WASHER, THRUST | 1 | |
| 003 | 90741-ZE2-000 | KEY, SPECIAL WOODRUFF, 25X18 | 1 | |



FR.

| Ref | Partnumber | Description | GXV530 | Serial Numbers |
|-----|---------------|-----------------------------------|--------|----------------|
| 001 | 13010-Z0A-003 | RING SET, PISTON (STD.) (NIPPON) | 2 | 1003415 |
| 001 | 13010-Z0A-014 | RING SET, PISTON (STD.) (TEIKOKU) | 2 | |
| 002 | 13101-Z0A-000 | PISTON (STD.) | 2 | |
| 003 | 13111-ZJ1-840 | PIN, PISTON | 2 | |
| 004 | 13200-Z0A-801 | ROD ASSY., CONNECTING | 2 | |
| 005 | 90001-ZN1-000 | BOLT, CONNECTING ROD, 6X37 | 4 | |
| 006 | 90551-ZE1-000 | CLIP, PISTON PIN, 18MM | 4 | |



| Ref | Partnumber | Description | GXV530 | Serial Numbers |
|-----|---------------|----------------------------|--------|----------------|
| 001 | 14320-Z0A-000 | PULLEY COMP., CAMSHAFT | 2 | |
| 002 | 14324-ZL8-000 | SHAFT, CAM PULLEY | 2 | |
| 003 | 14400-Z0A-003 | BELT, TIMING (97HU8 G-200) | 2 | |
| 004 | 14431-Z0A-000 | ARM, IN. VALVE ROCKER | 2 | |
| 005 | 14441-Z0A-000 | ARM, EX. VALVE ROCKER | 2 | |
| 006 | 14461-Z0A-000 | SHAFT, ROCKER ARM | 4 | |
| 007 | 14711-Z0A-000 | VALVE, IN. | 2 | |
| 008 | 14721-Z0A-000 | VALVE, EX. | 2 | |
| 009 | 14751-ZE1-000 | SPRING, VALVE | 4 | |
| 010 | 14771-ZE1-000 | RETAINER, IN. VALVE SPRING | 4 | |
| 011 | 90012-333-000 | SCREW, TAPPET ADJUSTING | 4 | |
| 012 | 90206-001-000 | NUT, TAPPET ADJUSTING | 4 | |
| 013 | 91301-ZM0-V31 | O-RING, 6.8X1.9 (ARAI) | 2 | |